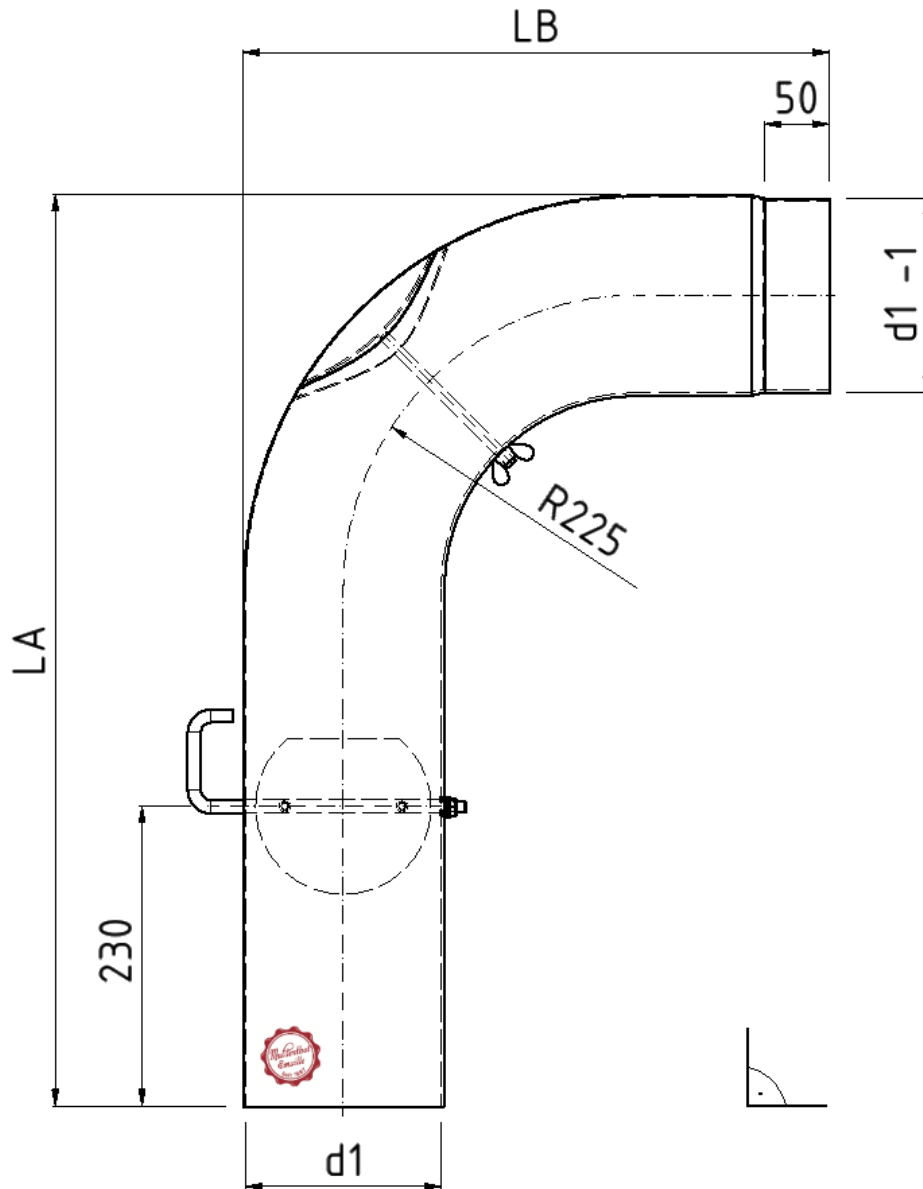




## DIMENSIONEN



<b>d1 in mm</b>	<b>LA in mm</b>	<b>LB in mm</b>
Ø 130	700	450
Ø 150	700	450