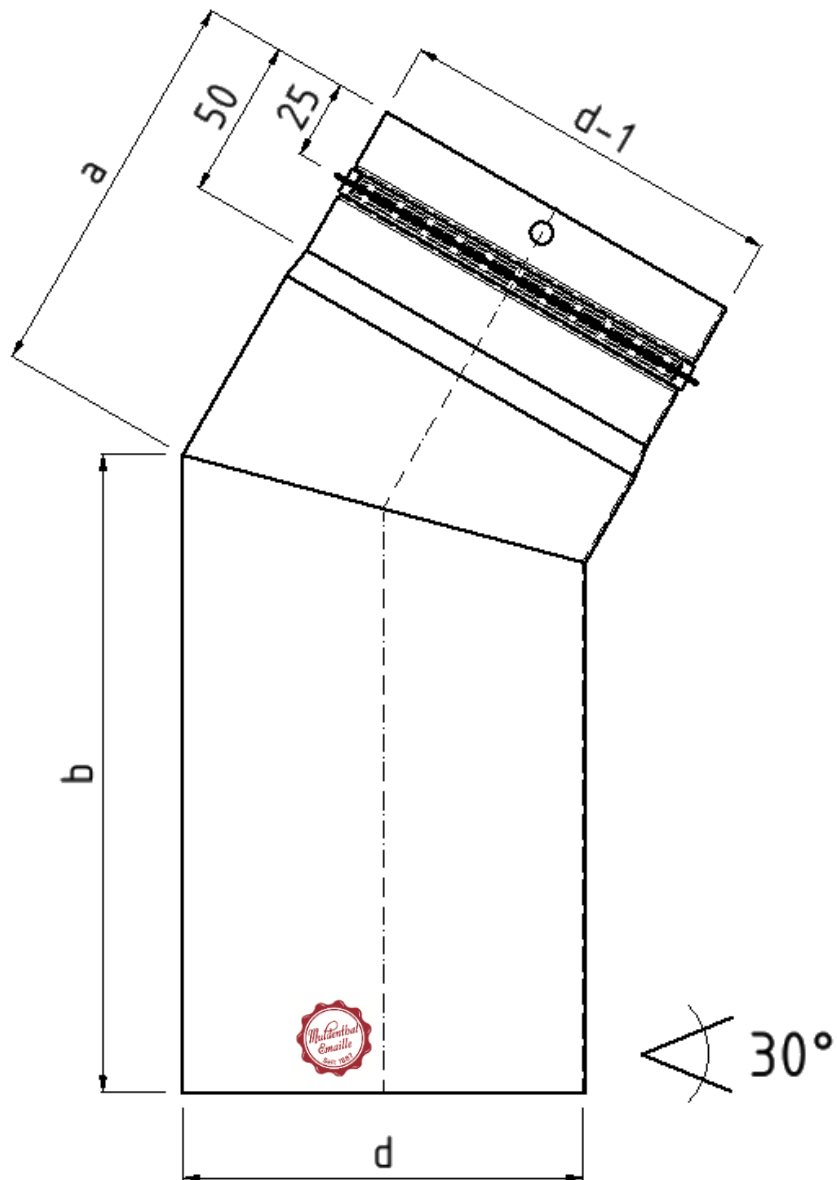




DIMENSIONEN



d in mm	a in mm	b in mm
Ø 80	110	150
Ø 100	120	150
Ø 125	125	200