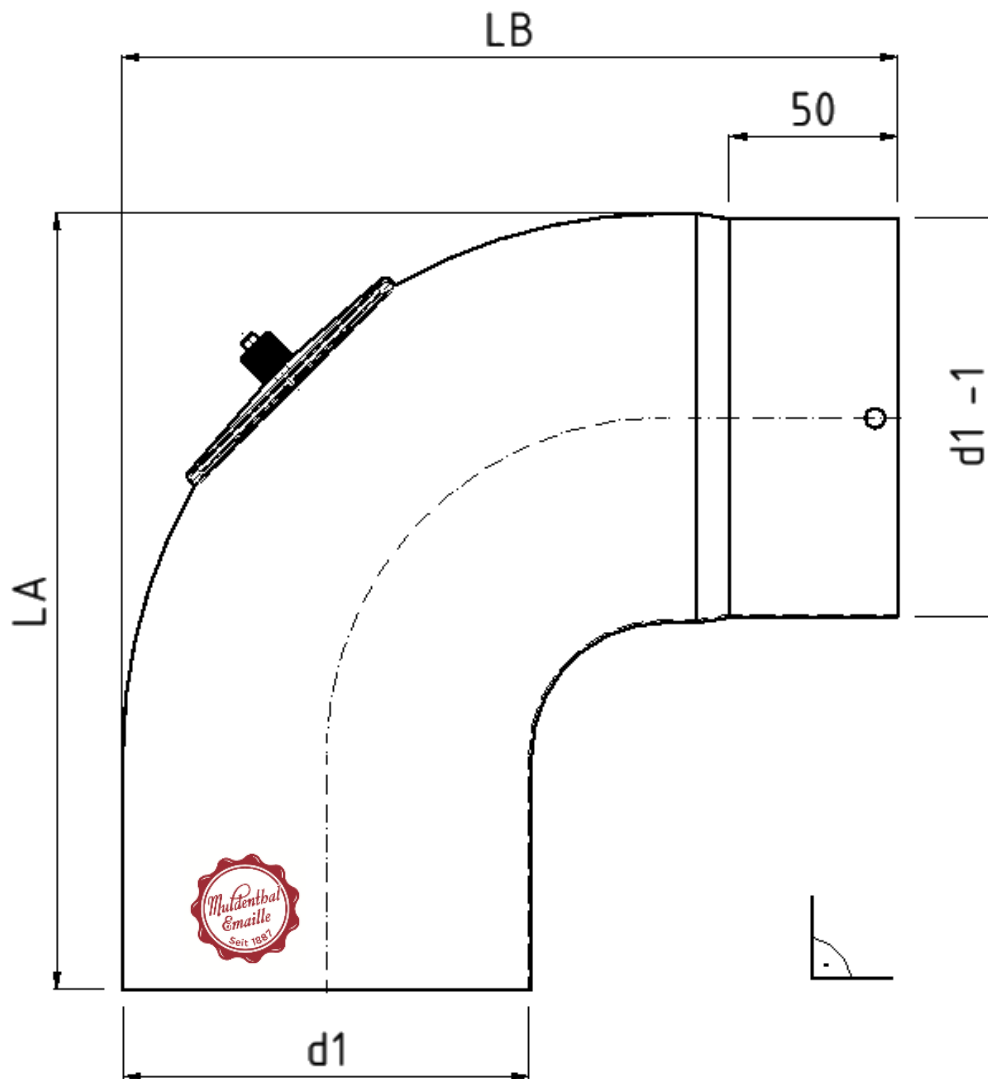




## DIMENSIONEN



| <b>d1 in mm</b> | <b>LA = LB in mm</b> |
|-----------------|----------------------|
| Ø 100           | 210                  |
| Ø 110           | 230                  |
| Ø 120           | 230                  |
| Ø 125           | 235                  |
| Ø 130           | 270                  |
| Ø 150           | 295                  |